

# 200 SERIES SLIMLINE COMPACT COMBINATION LAMPS



**Voltage Range:** 12/24V

**Warranty:** 5 years

**Ingress Protection:** IP67

**Approval:** ECE & EMC ✓

- Slimline design
- Surface mount bracket
- Available in black or chrome
- Shock, water & dust proof

### 200BIRSTME:

- Our most compact 4-function lamp
- 36x high-powered LEDs



### STOP / TAIL / INDICATOR

#### 200BSTIME Black

Current Draw (13.8V / 28V):

Stop: 0.29A / 0.16A, Tail: 0.09A / 0.07A, Indicator: 0.19A / 0.07A

### STOP / TAIL / INDICATOR

#### 200CSTIME Chrome

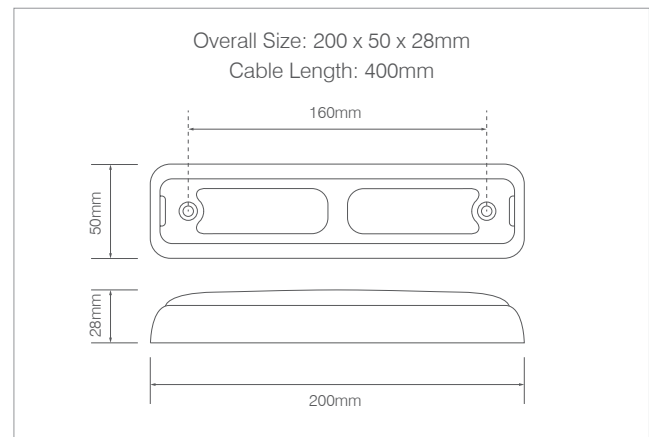
Current Draw (13.8V / 28V):

Stop: 0.29A / 0.16A, Tail: 0.09A / 0.07A, Indicator: 0.19A / 0.07A

### 4-FUNCTION COMBINATION LAMP



**NEW**



### STOP / TAIL / INDICATOR / REVERSE

#### 200BIRSTME Black

Current Draw (13.8V / 28V):

Stop: 0.2A / 0.11A, Tail: 0.02A / 0.02A, Indicator: 0.2A / 0.11A,

Reverse: 0.23A / 0.14A

### REPLACEMENT BRACKETS

#### 200B1B Black

#### 200B1C Chrome

